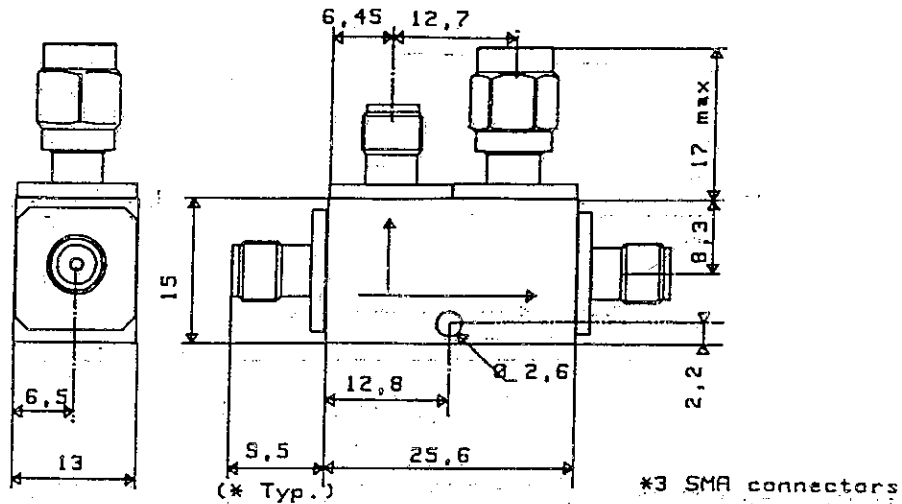


**DRAWING**



**R F CHARACTERISTICS**

General tolerances: +/- 0.5 mm

FREQUENCY RANGE	:	12.4- 18 GHz
IMPEDANCE	:	50 Ohms
COUPLING (*)	:	10 dB ± 0.8 dB
FREQUENCY SENSITIVITY	:	± 0.3 dB
DIRECTIVITY	:	>= 18 dB
INSERTION LOSS	:	<= 1 dB
V.S.W.R	- Main line	<= 1.30
	- Coupled line	<= 1.30
AVERAGE POWER at 25°C	:	50 W
PEAK POWER at 25°C (1µs,1%)	:	3 kW

**MECHANICAL CHARACTERISTICS**

CONNECTORS	:	SMA female per MIL-C 39012
COAXIAL TERMINATION	:	50 Ohms, 1 W
WEIGHT	:	< 30 g

**ENVIRONMENTAL CHARACTERISTICS**

OPERATING TEMPERATURE RANGE	(°C)	:	-25	,	+85
STORAGE TEMPERATURE RANGE	(°C)	:	-40	,	+100

\* : Frequency sensitivity is included in coupling

QUALITY	MO
Dpt app.	B
CREATION	
PEN :	CAT
EP :	
Nom :	PG
Date :	06. apr. 93

ISSUE

REVISIONS

NAME

**RADIALL®**

101. Philibert Hoffmann | Phone: 33.1.49353535  
- Z.I Ouest - | Fax : 33.1.48546363  
93116 ROSNY/BOIS Cedex-FRANCE | Tlx RADIA 235220F

This information is given as an indication. In the continual goal to improve our products, we reserve the right to make any modifications judged necessary.

4412-9211